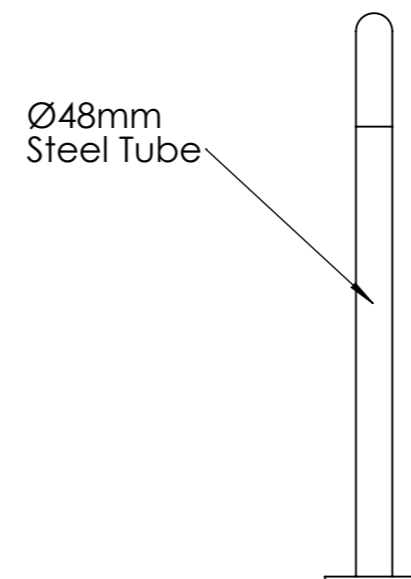
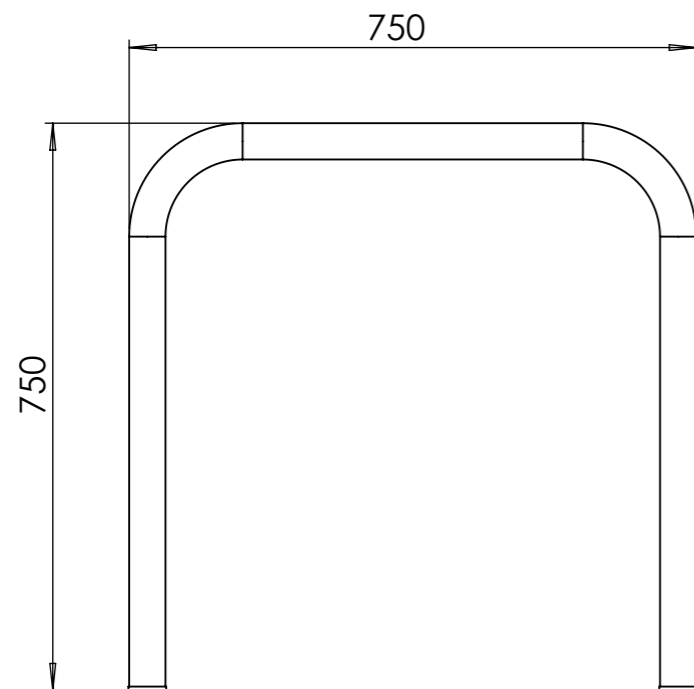
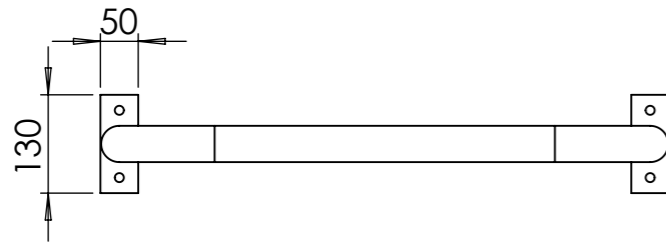


Sheet Notes

- All dimensions are in mm unless otherwise stated
- Any dimensions scaled from this drawing are taken at readers own risk

Product Spec

Size: 750H x 750W x ϕ 48mm
Material: Steel
Finish Options: Galvanised only, galvanised & powdercoated or Brushed Stainless steel
Fixing Options: Surface mounted with baseplates
Bike Capacity: 2



T: 01730 719292 | www.bellsure.co.uk | E: streetsure@bellsure.co.uk

PRODUCT NAME:

Citihoop Classic SM