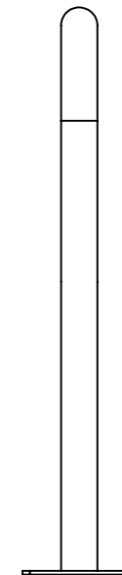
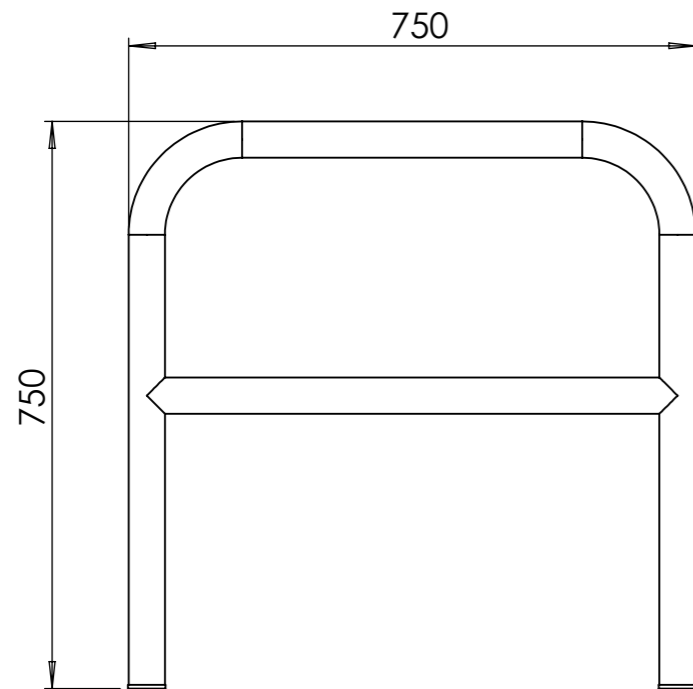


### Sheet Notes

- All dimensions are in mm unless otherwise stated
- Any dimensions scaled from this drawing are taken at readers own risk

### Product Spec

Size: 750H x 750W x  $\phi$  48mm  
Material: Steel  
Finish Options: Galvanised only, galvanised & powdercoated or Brushed Stainless steel  
Fixing Options: Surface mounted with baseplates  
Bike Capacity: 2



T: 01730 719292 | [www.bellsure.co.uk](http://www.bellsure.co.uk) | E: [streetsure@bellsure.co.uk](mailto:streetsure@bellsure.co.uk)

PRODUCT NAME:

Citihoop Plus SM