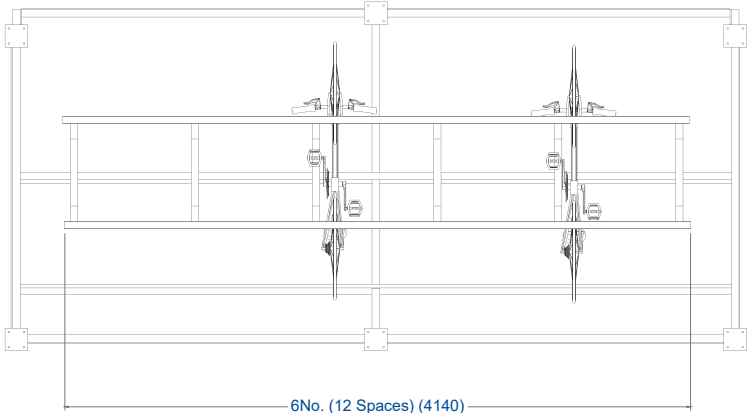


CuvaCurve Lockable Cycle Shelter

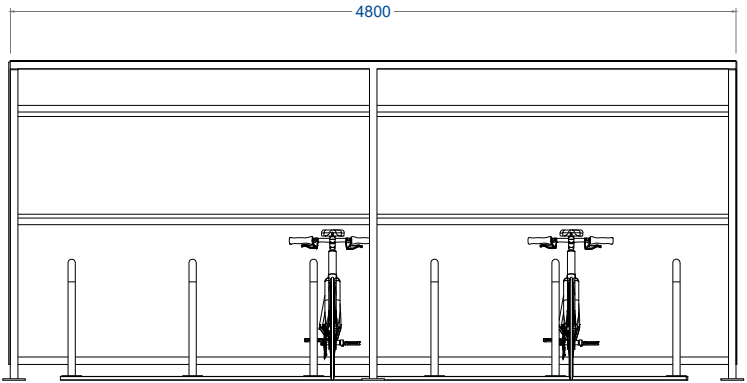
Top View



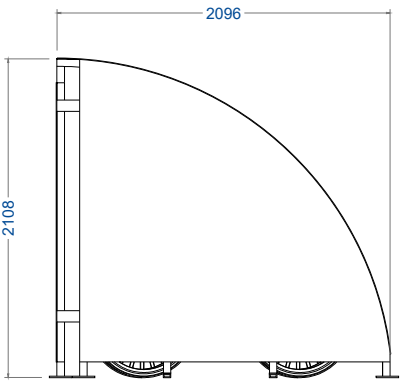
Perspective View



Front View



Side View



Technical information

- Materials:** Steel
- Standard Finish:** Galvanised
- Optional Finishes:** Powder-coating to any standard RAL colour
- Fixing Options:** Surface Mounted with Base Plate
- Optional Extras:** Location identifiers, anti-tamper fixings, signage
- BREEAM:** Our products will assist with achieving BREEAM rating
- Benefits:** A professionally built external shelter, suitable to cover single tier cycle storage and people.
- Product Warranty:** Two years



Manufactured in the UK

PRODUCT NAME:

CuvaCurve Lockable Cycle Shelter

SCALE: 1:50	SHEET SIZE: A3	DRAWN BY: AA
CHECKED BY: BCB	DATE: 22/12/2021	

PRODUCT NO. :

- All dimensions are in mm unless otherwise stated
- Any dimensions scaled from this drawing are taken at the reader's own risk



01730 719 292
info@bellsure.co.uk
bellsure.co.uk