

Product Specification Sheet

Door Controls | Floor Spring

Sheet Notes

- All dimensions are in mm unless otherwise stated
- Any dimensions scaled from this drawing are taken at readers own risk

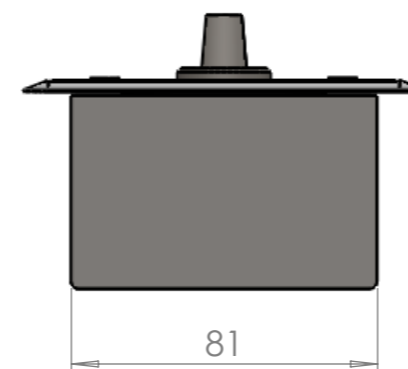
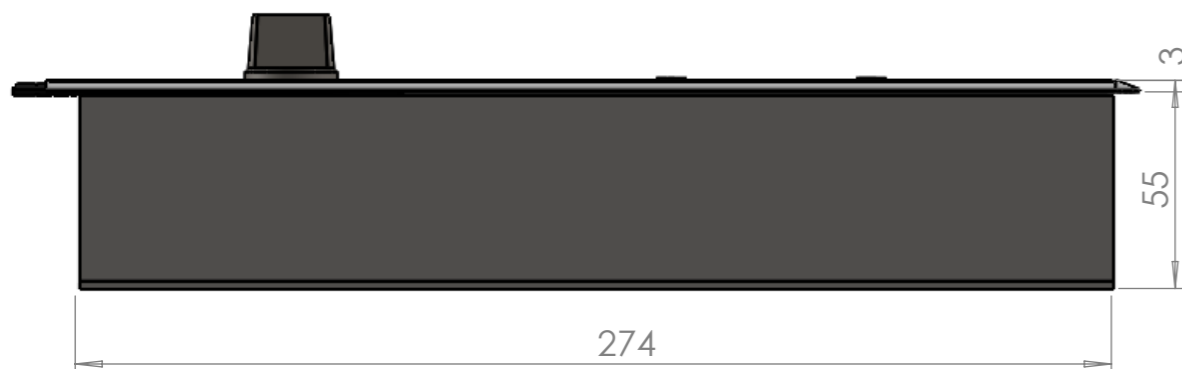
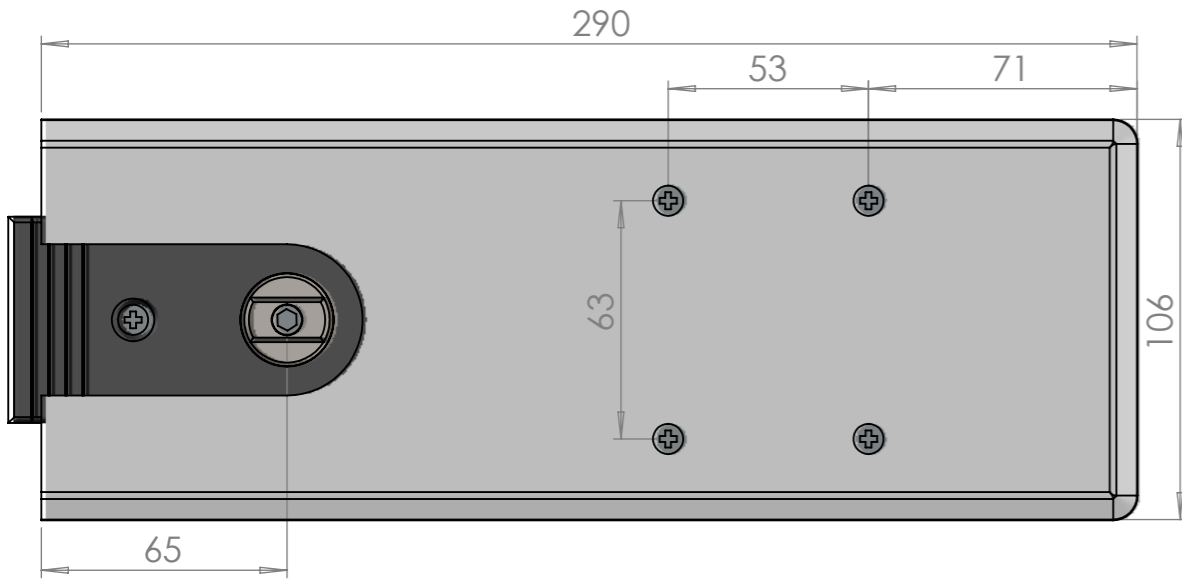
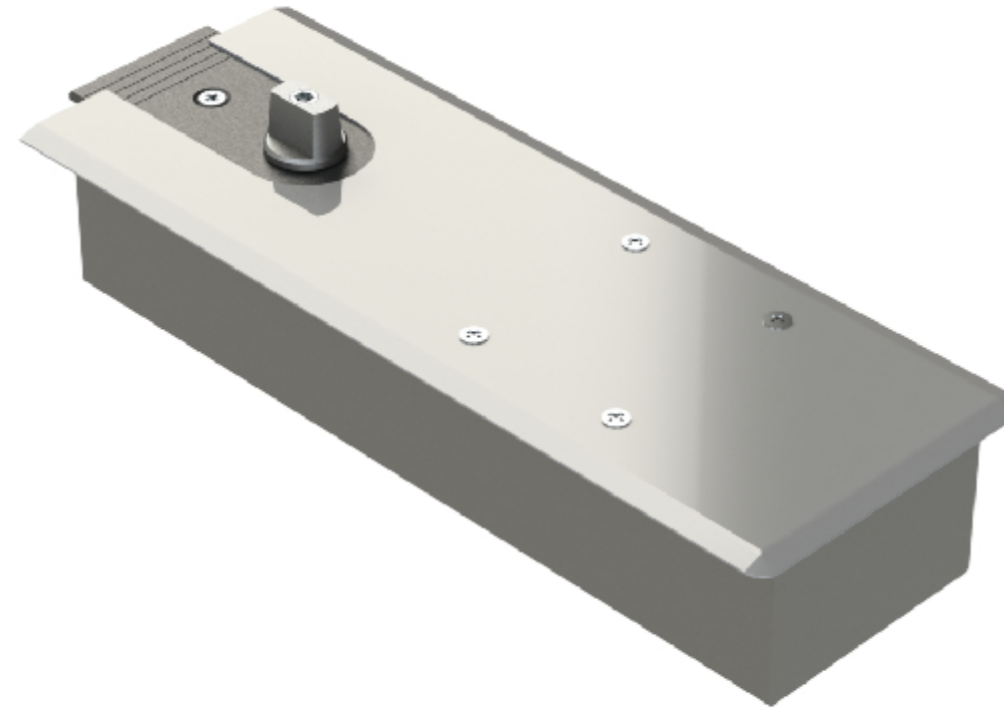
Product Key Features

Max Door Weight: 150kg
 Max Door Width: 1100mm
 Closing Speed Adj: 180° - 15°
 Latching Speed Adj: 15° - 0°
 Back Check: Protects door from abusive opening

Spring Tension: EN1 EN2 EN3 EN4
 Door Width: 800 900 1000 1100

Adjustment in Cement box: Length = 8mm, Width = 4mm

Available 90° Hold open or no hold open



T 01730 719 292
 E info@bellsure.co.uk
 W bellsure.co.uk

PRODUCT NAME: Floorspring	PART NO. FS005 HO/NHO
DRAWING	

SCALE: 1:1 SHEET SIZE: A3 DRAWN BY: BK CHECKED BY: MJ DATE: 20/05/13
 PROJECT NO. DRAWING NO.