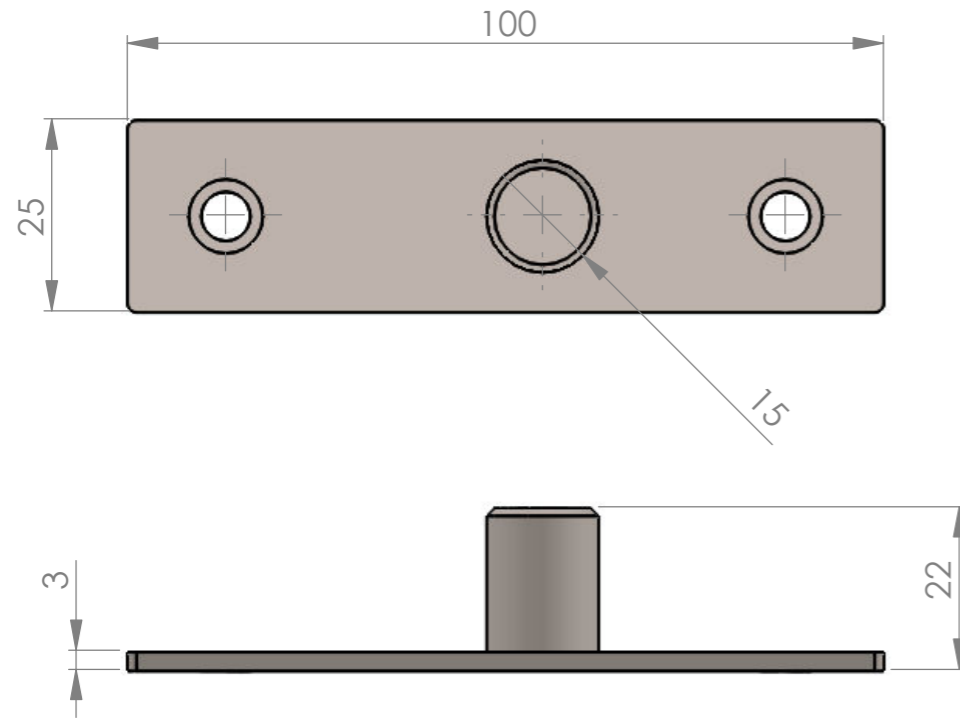
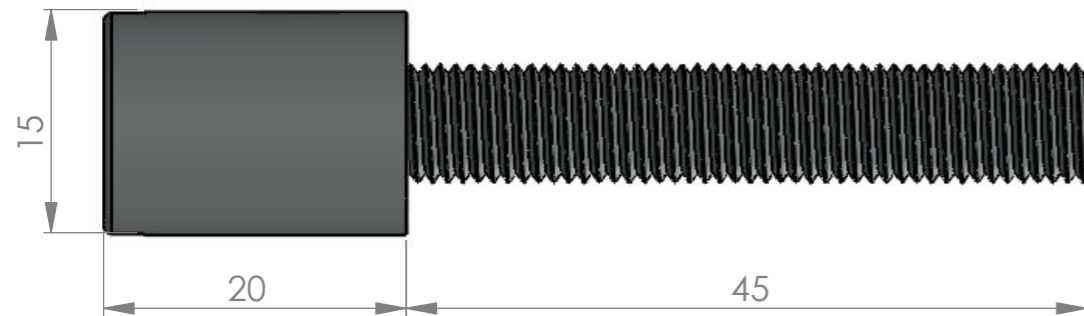
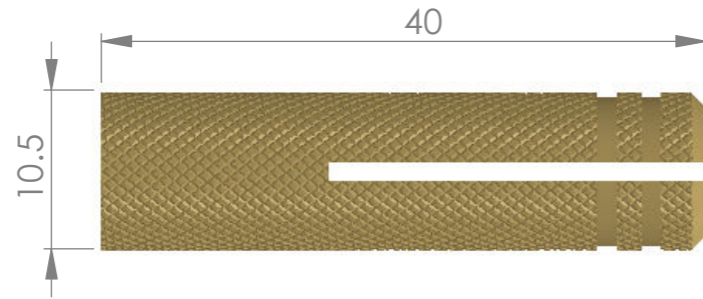


Product Specification Sheet

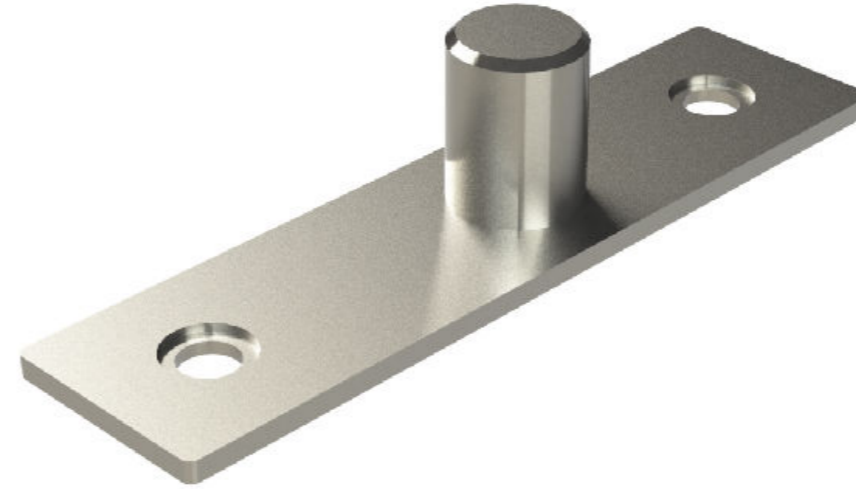
Accessories | Top Centres



GP10 Flat Plate Top Centre
1:1



GP20 Screw-in Top Centre
2:1



Sheet Notes

- All dimensions are in mm unless otherwise stated
- Any dimensions scaled from this drawing are taken at readers own risk

Product Key Features

Material Finish: Brushed Stainless Steel
Packaging: 1no.



T 01730 719 292
E info@bellsure.co.uk
W bellsure.co.uk

PRODUCT NAME:	PART NO.
Flat Plate Top Centre Screw-in Top Centre	GP10 GP20
DRAWING	
SCALE: N/A	SHEET SIZE: A3
PROJECT NO.	DRAWING NO.
DRAWN BY: BK	CHECKED BY: JD
DATE: 20/05/13	