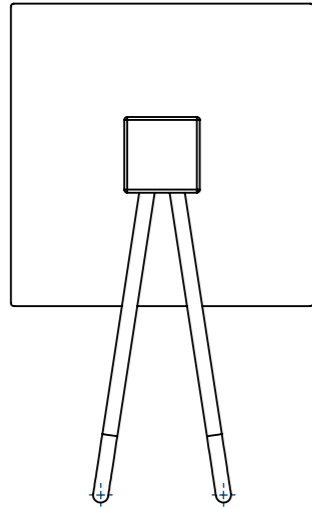


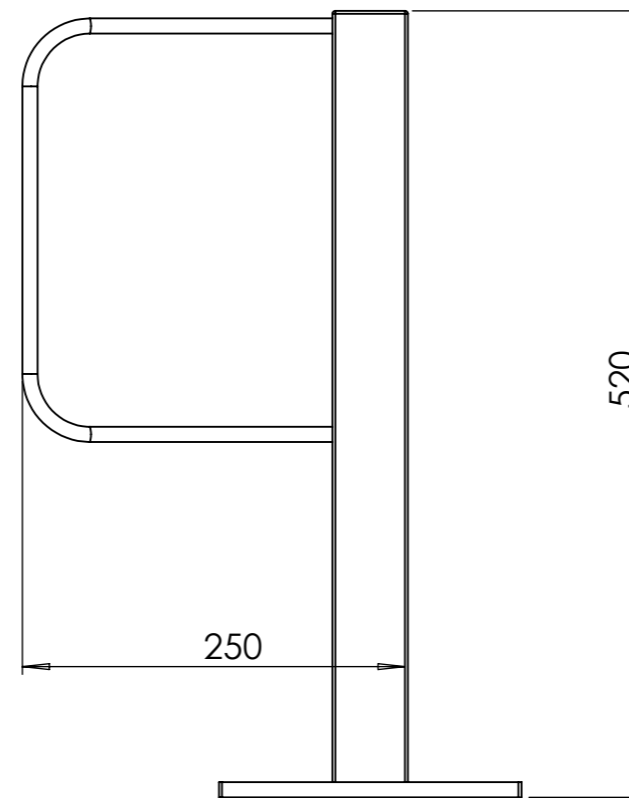
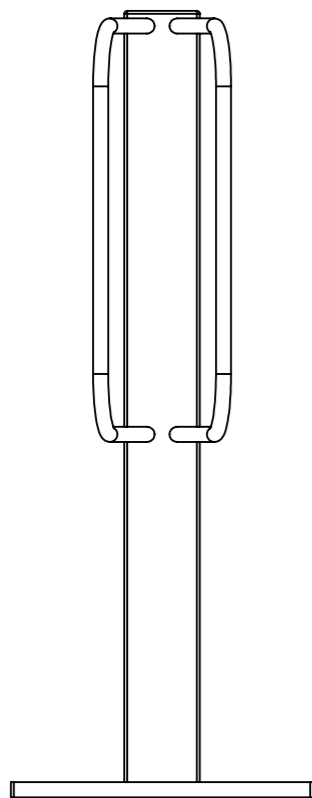
Sheet Notes

- All dimensions are in mm unless otherwise stated
- Any dimensions scaled from this drawing are taken at readers own risk



Product Spec

Size: 520H x 250W
Material: Steel
Finish Options: Galvanised only, galvanised & powdercoated
Fixing Options: Surface mounted with base plates
Bike Capacity: 1



T: 01730 719292 | www.bellsure.co.uk | E: streetsure@bellsure.co.uk

PRODUCT NAME:
GrabPost