

Product Specification Sheet

Hinges | Lift-off Glass Hinge

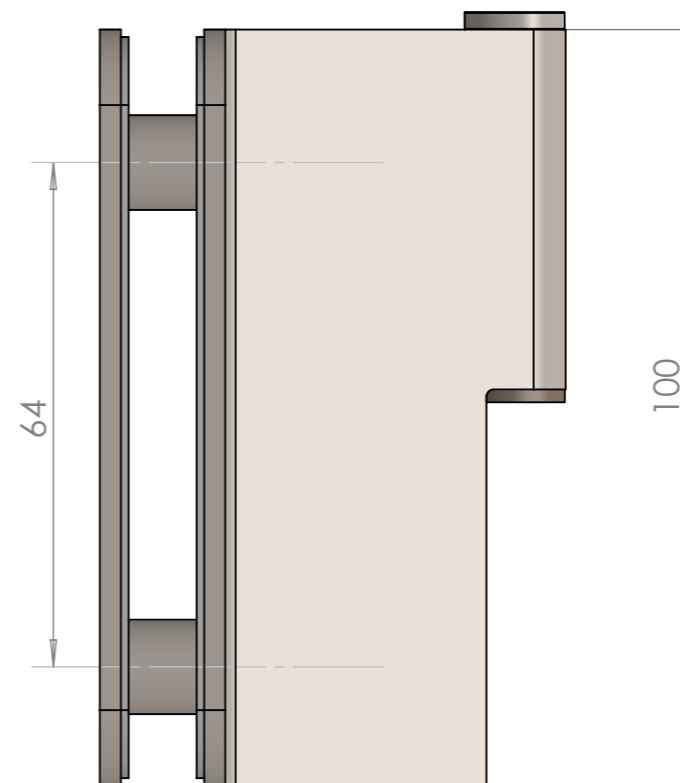
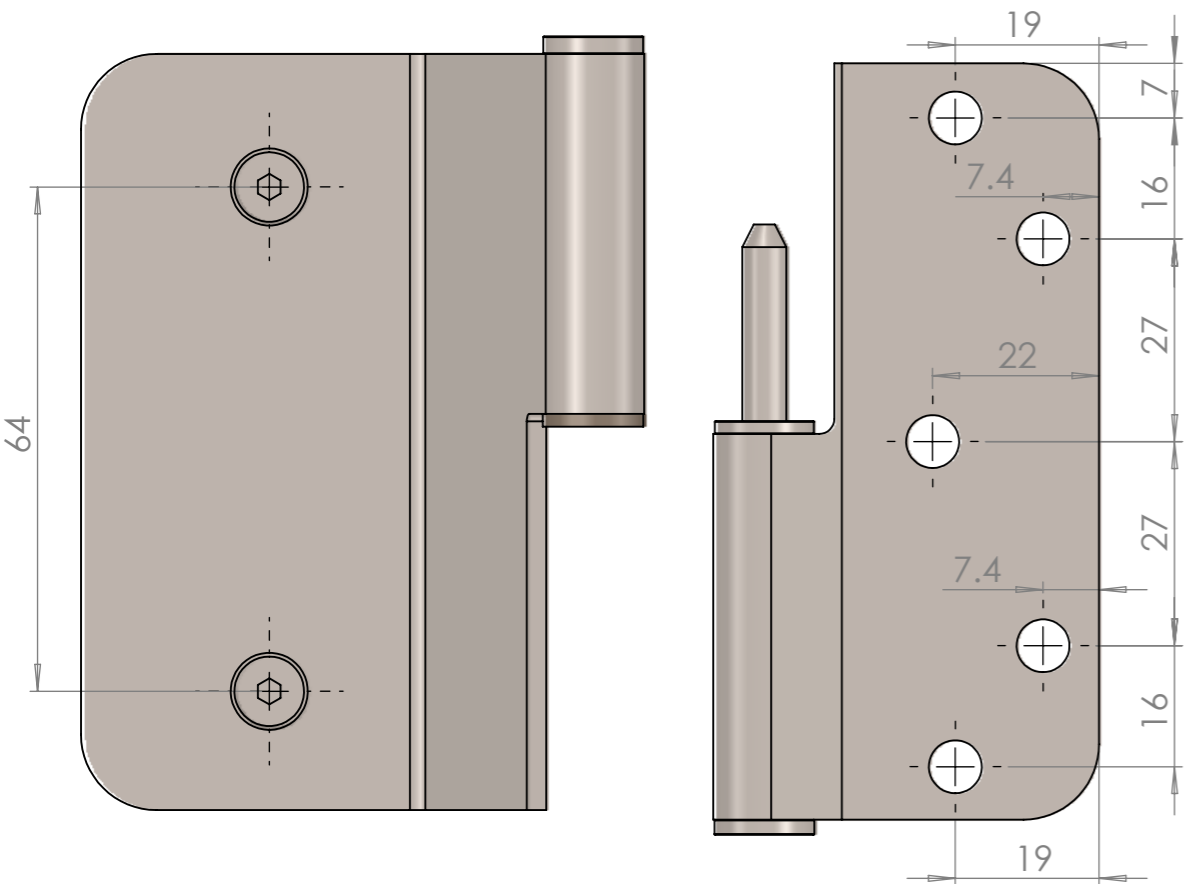
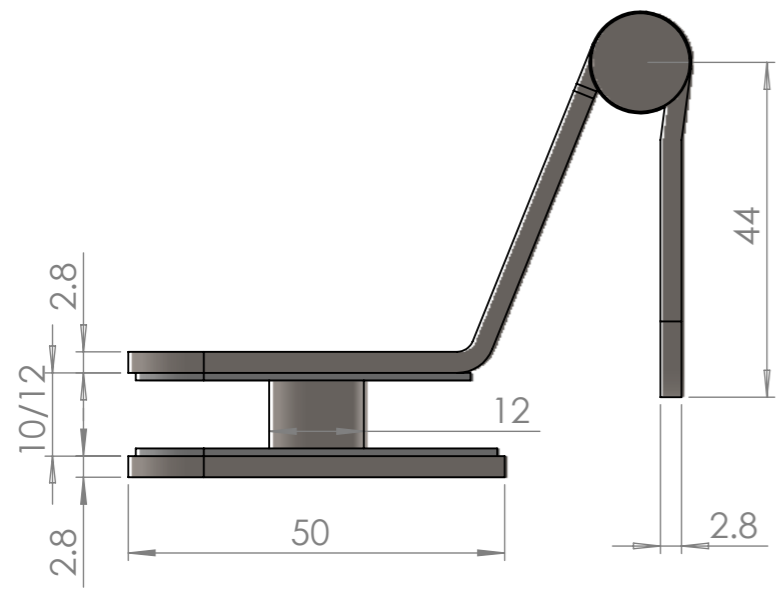
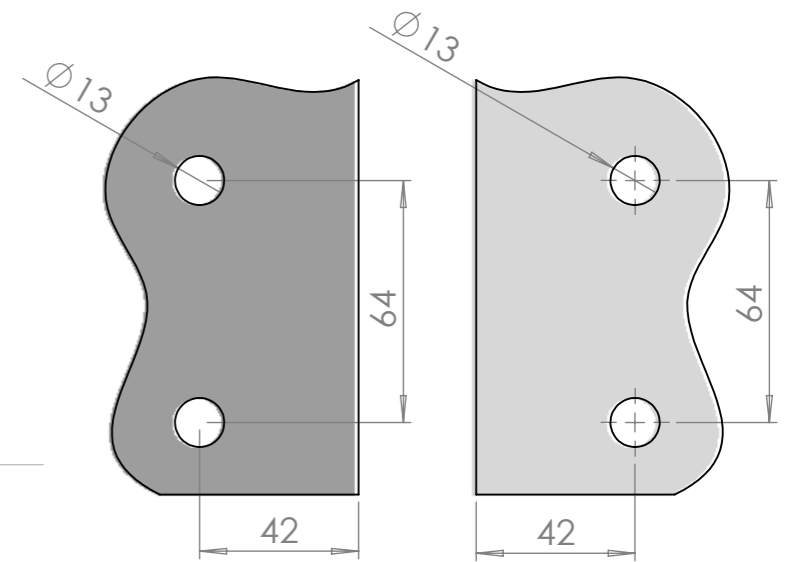
Sheet Notes

- All dimensions are in mm unless otherwise stated
- Any dimensions scaled from this drawing are taken at readers own risk

Product Key Features

Material Finish: 304 Grade Stainless Steel
 Finish: Brushed
 Handed: DIN R/L
 Max Door Weight: 3 Hinges = 80Kg

Glass Preparation Details Scale 1:2



T 01730 719 292
 E info@bellsure.co.uk
 W bellsure.co.uk

PRODUCT NAME: Lift-off Glass Hinge	PART NO. PL101R/L
--	-----------------------------

DRAWING	
---------	--

SCALE: 1:1	SHEET SIZE: A3	DRAWN BY: BK	CHECKED BY: MJ	DATE: 20/05/13
PROJECT NO.	DRAWING NO.			