

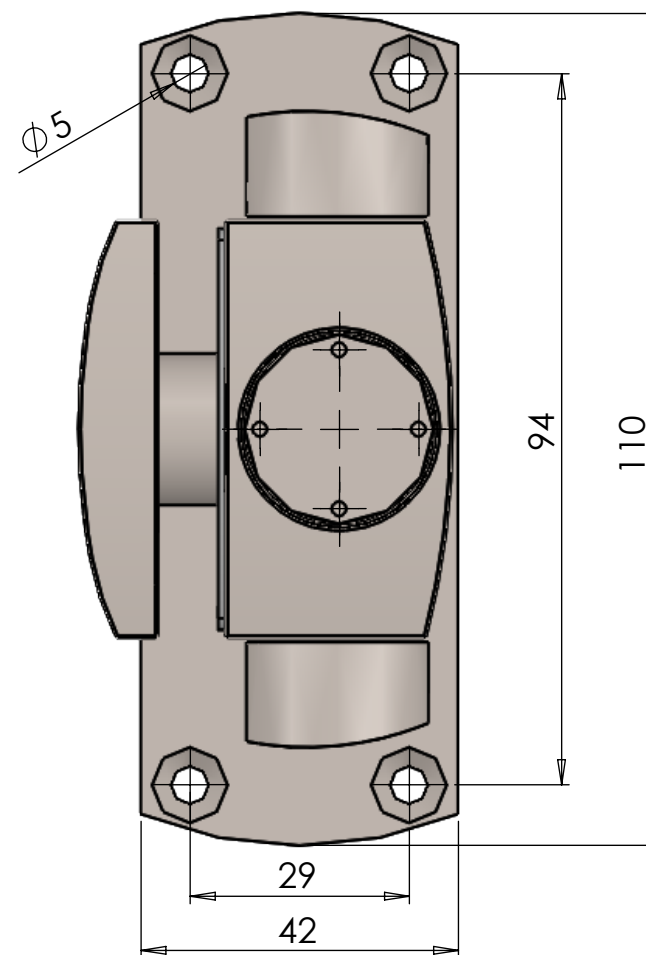
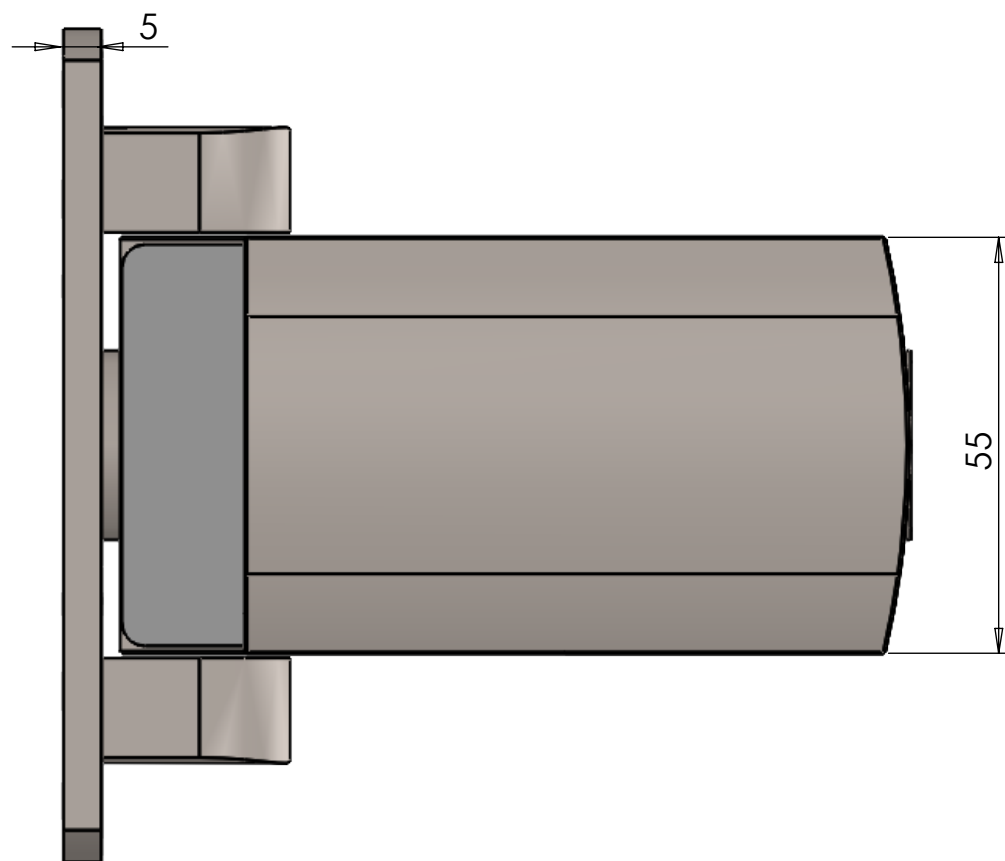
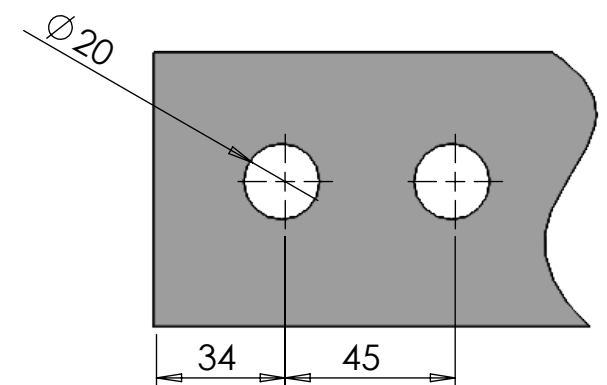
Sheet Notes

- All dimensions are in mm unless otherwise stated
- Any dimensions scaled from this drawing are taken at readers own risk

Product Key Features

Material Finish: Brushed Stainless Steel
 Max Door Weight: 100kg
 Max Door Width: 1000mm
 Maximum Rebate Depth: 22mm
 To Suit 8/10/12 Glass

Glass Preparation Details



BRAND	APPLICATION/LOCATION	DATE	NETWORK MANUFACTURER #1024
-------	----------------------	------	----------------------------



T 01730 719 292
 E info@bellsure.co.uk
 W bellsure.co.uk

PRODUCT NAME: Hydraulic Self Closing Hinge	PART NO. PL806 PL806D
DRAWING	

SCALE: 1:2	SHEET SIZE: A3	DRAWN BY: BK	CHECKED BY: RC	DATE: 25/11/13
PROJECT NO.	DRAWING NO.			