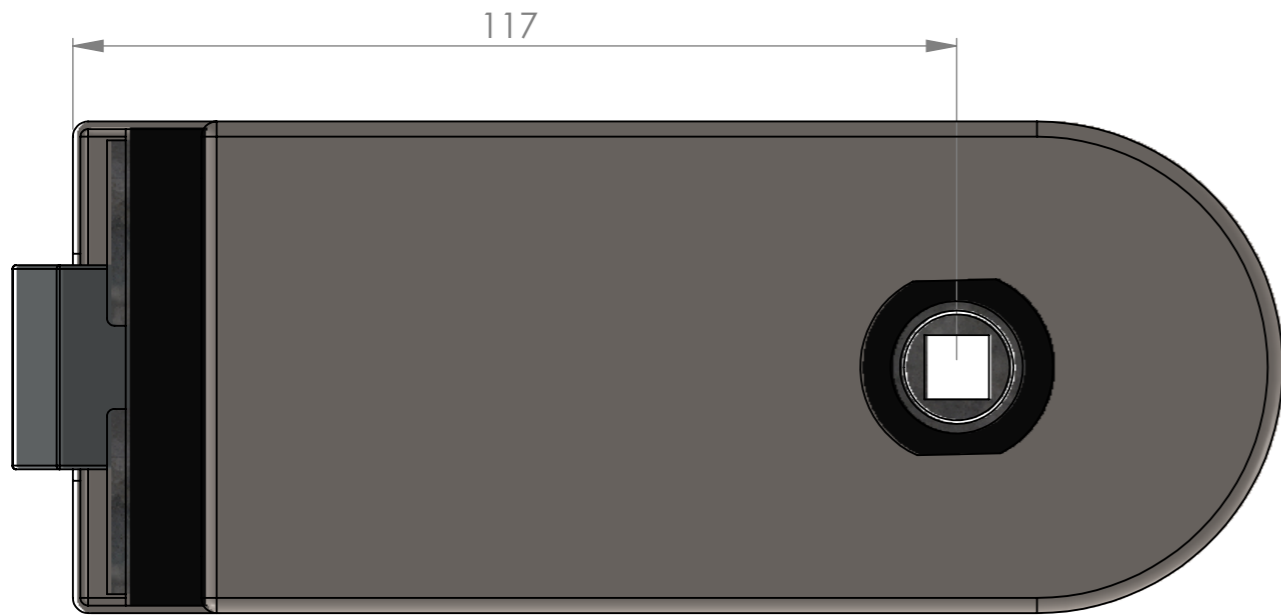


# Product Specification Sheet

## Locks | Primeline Non Locking Latch



### Sheet Notes

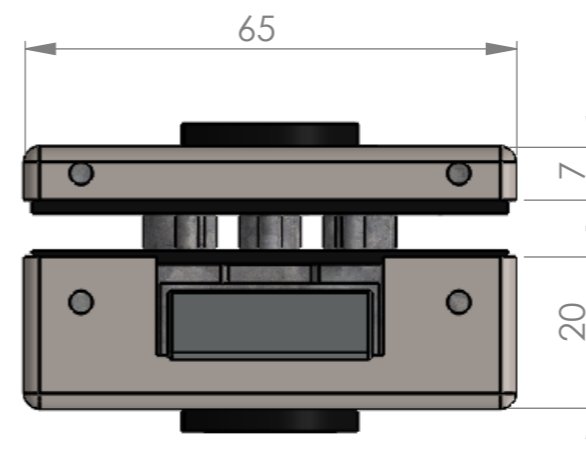
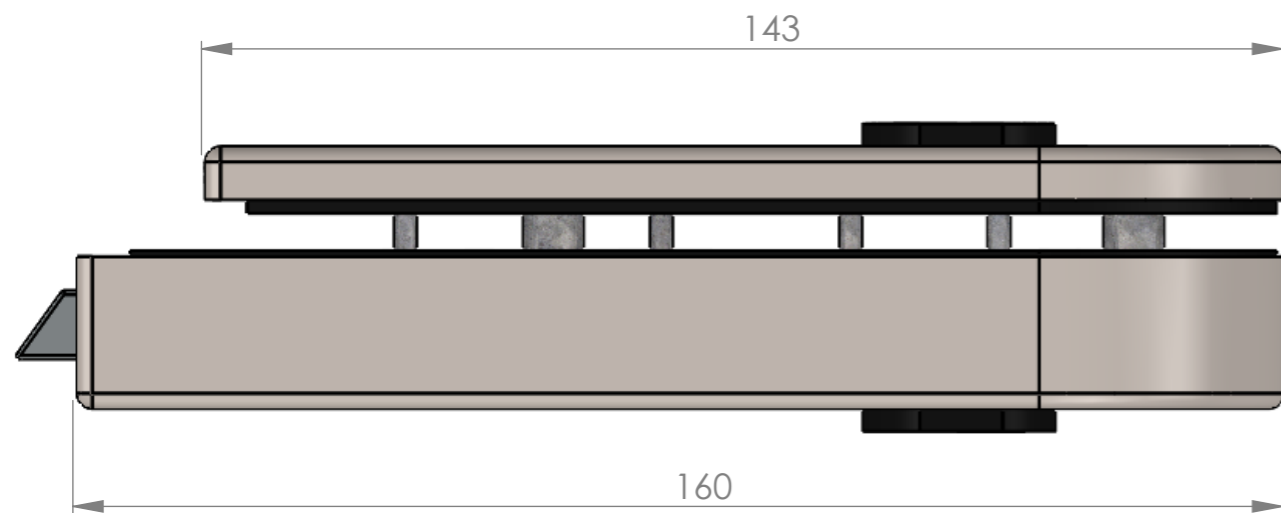
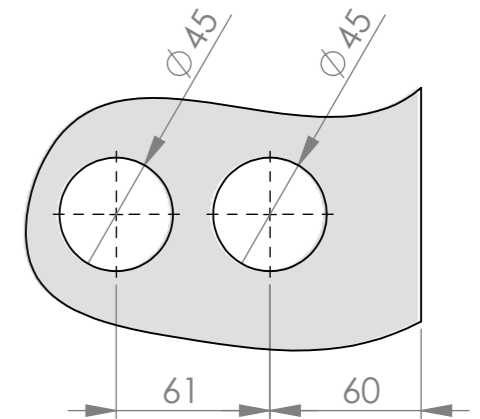
- All dimensions are in mm unless otherwise stated
- Any dimensions scaled from this drawing are taken at readers own risk

### Product Key Features

Material Finish: Brushed/Polished Stainless Steel Grade 304  
 Handing: Non Handed  
 Packaging: Each

### Glass Preparation Details

Scale 1:2



T 01730 719 292  
 E info@bellsure.co.uk  
 W bellsure.co.uk

PRODUCT NAME: <b>Non Locking Latch</b>	PART NO. <b>PL200</b>
DRAWING	

SCALE: 1:1    SHEET SIZE: A3    DRAWN BY: BK    CHECKED BY: MJ    DATE: 20/05/13  
 PROJECT NO.    DRAWING NO.