

Product Specification Sheet

PLM10 | Self Closing Bottom Patch

Sheet Notes

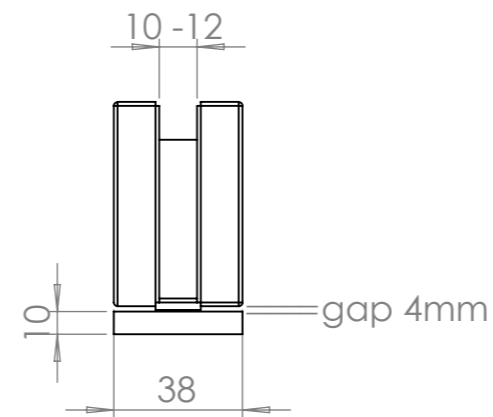
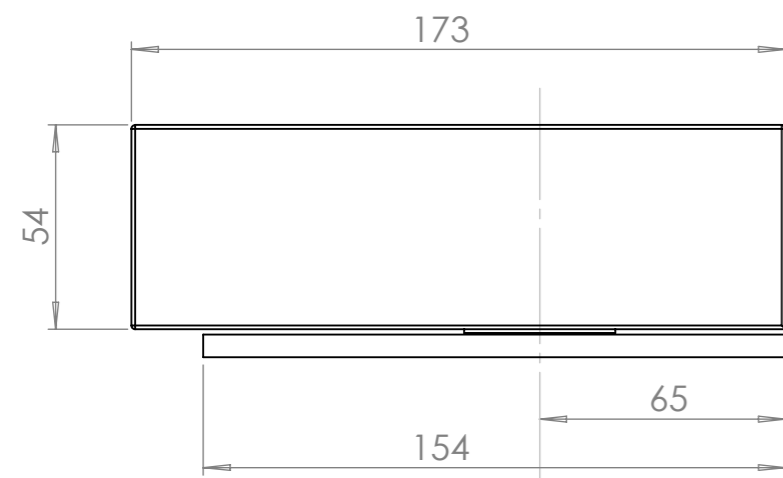
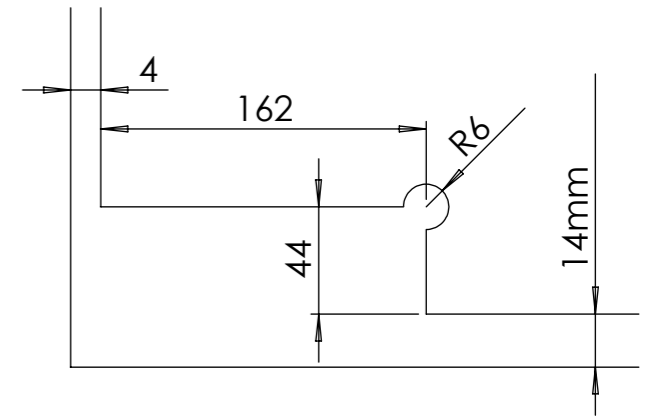
- All dimensions are in mm unless otherwise stated
- Any dimensions scaled from this drawing are taken at readers own risk

Product Key Features

Material Finish:	Stainless Steel Grade 304
Max Door Weight:	100kg
Max Door Width:	1000mm
Handing:	Non Handed
Glass Thickness Compatibility:	10mm or 12mm



Glass Preparation Details



T 01730 719 292
E info@bellsure.co.uk
W bellsure.co.uk

PRODUCT NAME:	PART NO.
	PLM10
DRAWING	

SCALE: 1:1 SHEET SIZE: A3 DRAWN BY: BK CHECKED BY: MJ DATE: 20/05/13
PROJECT NO. DRAWING NO.