

Product Specification Sheet

Door Seals | Drop Down Seals

Sheet Notes

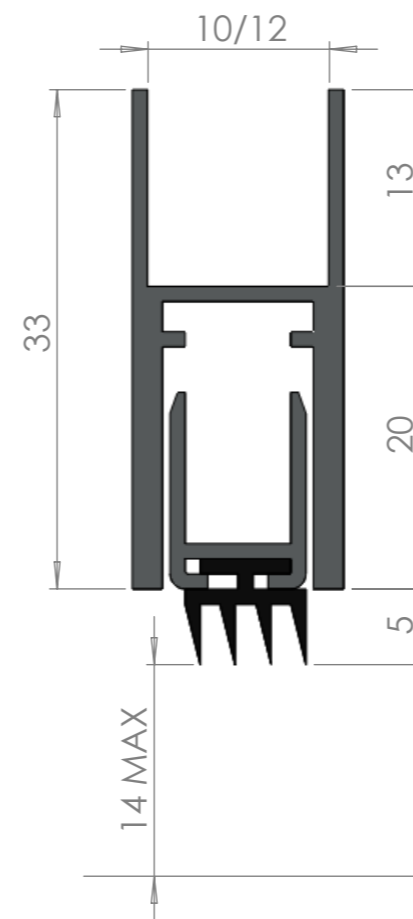
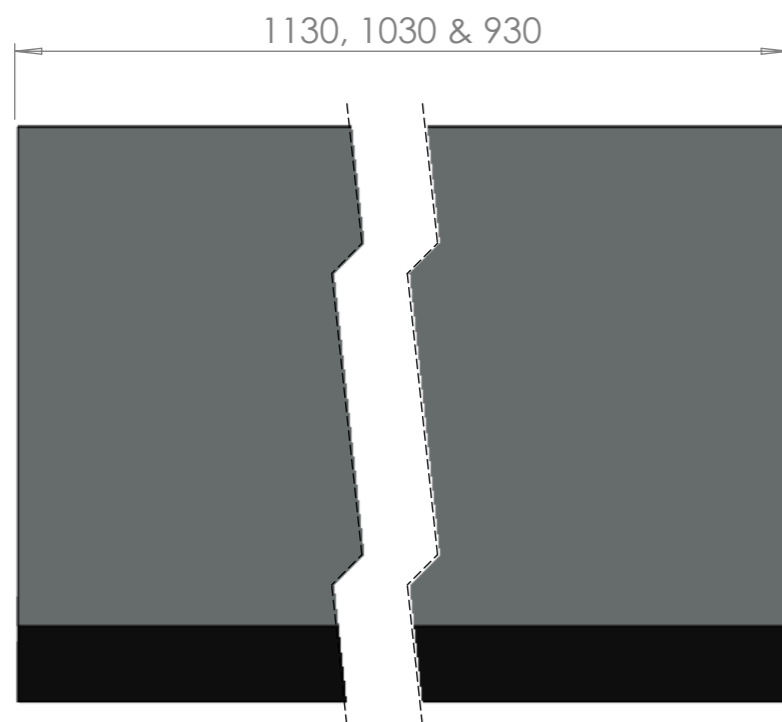
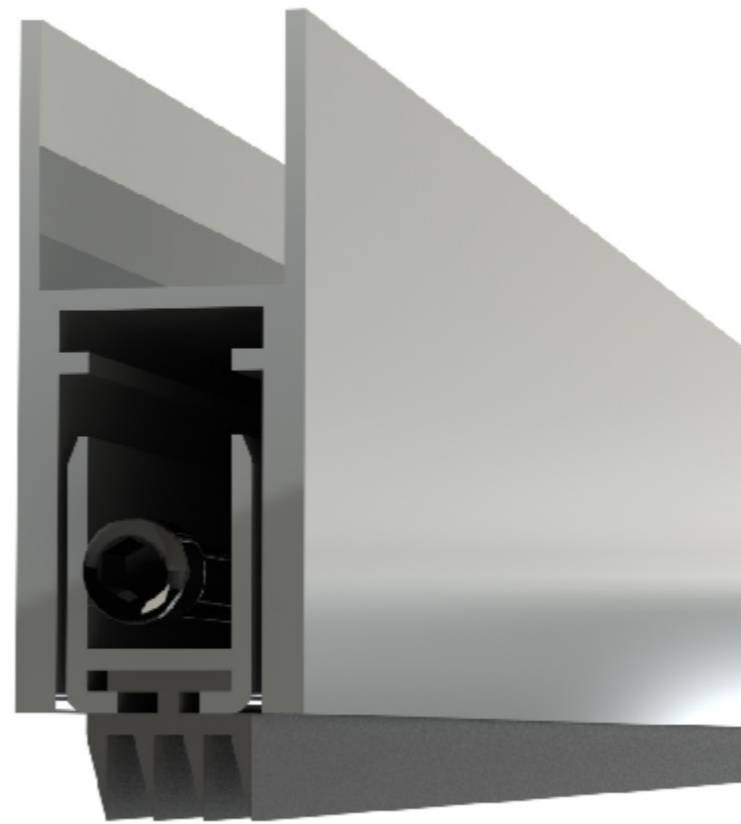
- All dimensions are in mm unless otherwise stated
- Any dimensions scaled from this drawing are taken at readers own risk

Key Features

Material: Brushed stainless steel

Available for both 10mm & 12mm Glass

- 3 Max door widths available, 1130mm, 1030mm & 930mm



T 01730 719 292
E info@bellsure.co.uk
W bellsure.co.uk

PRODUCT NAME:	PART NO.
Drop Down Door Seal	QSP10.930/1030/1130 QSP12.930/1030/1130
DRAWING	

SCALE: 2:1 SHEET SIZE: A3 DRAWN BY: BK CHECKED BY: MJ DATE: 16/06/14
PROJECT NO. DRAWING NO.