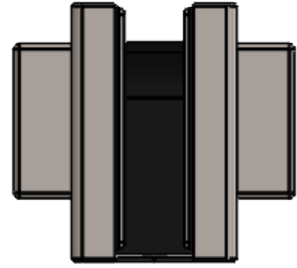


Product Specification Sheet

Locks | Primeline Centre Lock



Sheet Notes

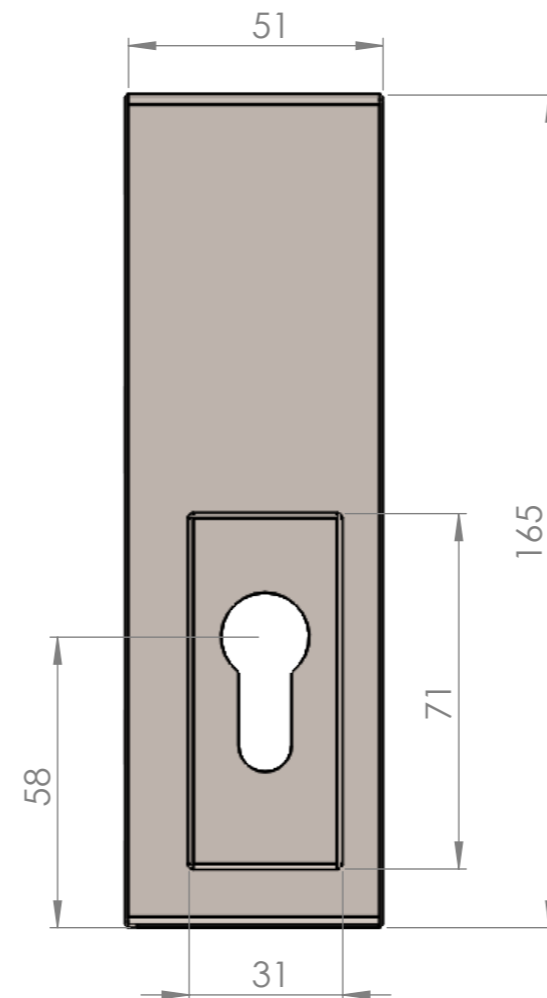
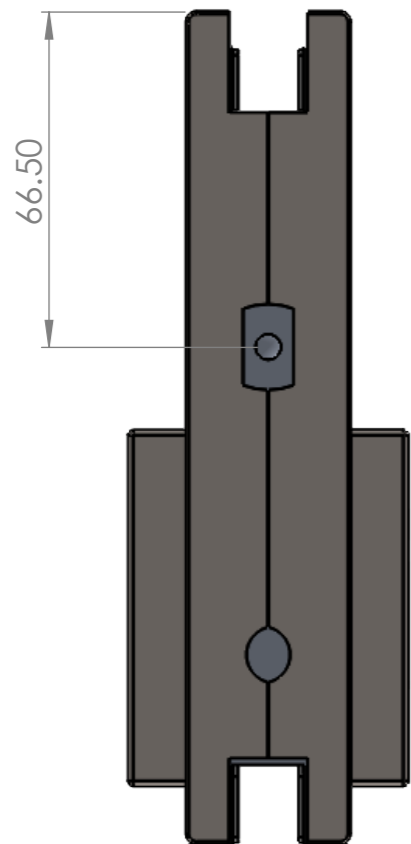
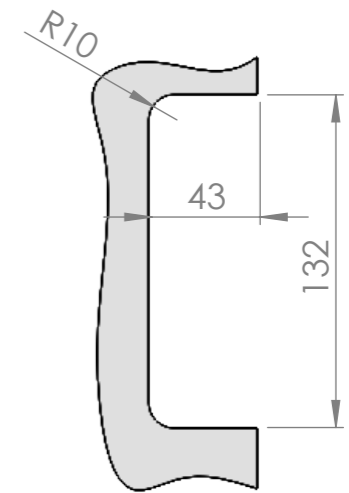
- All dimensions are in mm unless otherwise stated
- Any dimensions scaled from this drawing are taken at readers own risk

Product Key Features

Material Finish: Brushed/Polished Stainless Steel
 Handing: Non Handed
 Packaging: Each

Glass Preparation Details

Scale 1:3



T 01730 719 292
 E info@bellsure.co.uk
 W bellsure.co.uk

PRODUCT NAME: Centre Lock	PART NO. USP20
DRAWING	

SCALE: 1:1.5 SHEET SIZE: A3 DRAWN BY: BK CHECKED BY: MJ DATE: 20/05/13
 PROJECT NO. DRAWING NO.