

Product Specification Sheet

PLM10 | Self Closing Bottom Patch

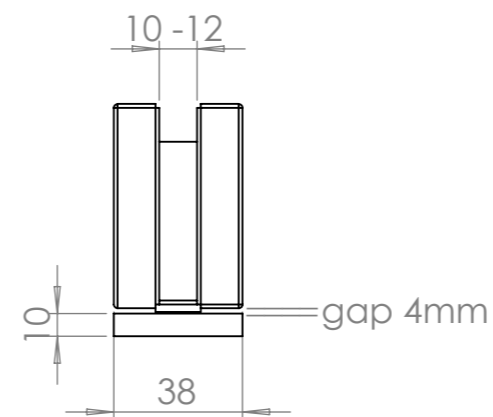
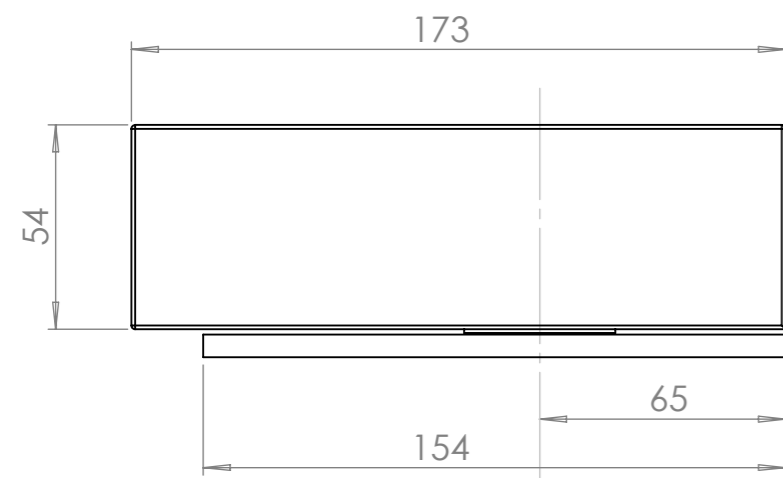
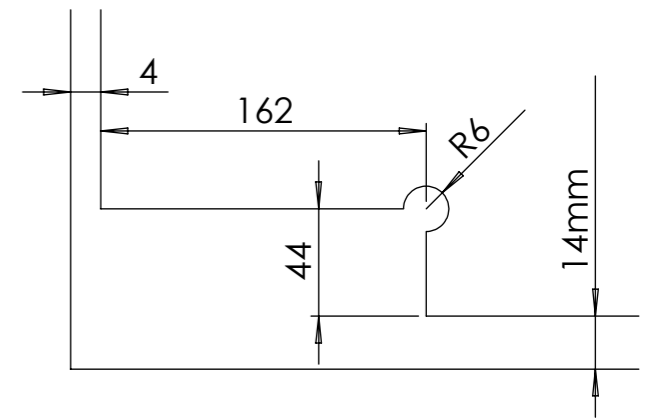
Sheet Notes

- All dimensions are in mm unless otherwise stated
- Any dimensions scaled from this drawing are taken at readers own risk

Product Key Features

- Material Finish:
 - Stainless Steel Grade 304
 - Black
- Max Door Weight: 100kg
- Max Door Width: 1000mm
- Handing: Non Handed
- Glass Thickness Compatibility: 10mm or 12mm

Glass Preparation Details



T 01730 719 292
E info@bellsure.co.uk
W bellsure.co.uk

PRODUCT NAME.	PART NO.
	PLM10
DRAWING	

SCALE: 1:1 SHEET SIZE: A3 DRAWN BY: BK CHECKED BY: MJ DATE: 20/05/13
PROJECT NO. DRAWING NO.