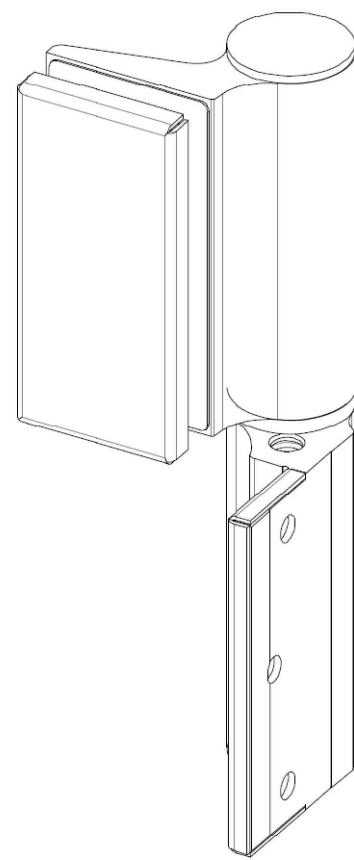
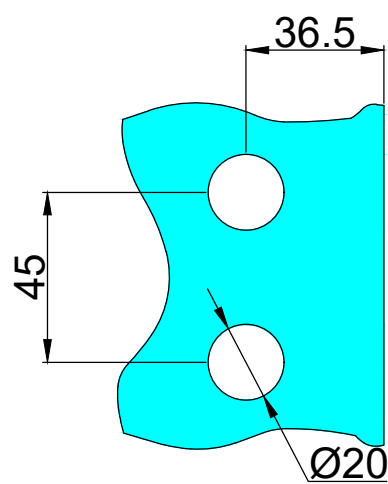


MAIN LAYOUT

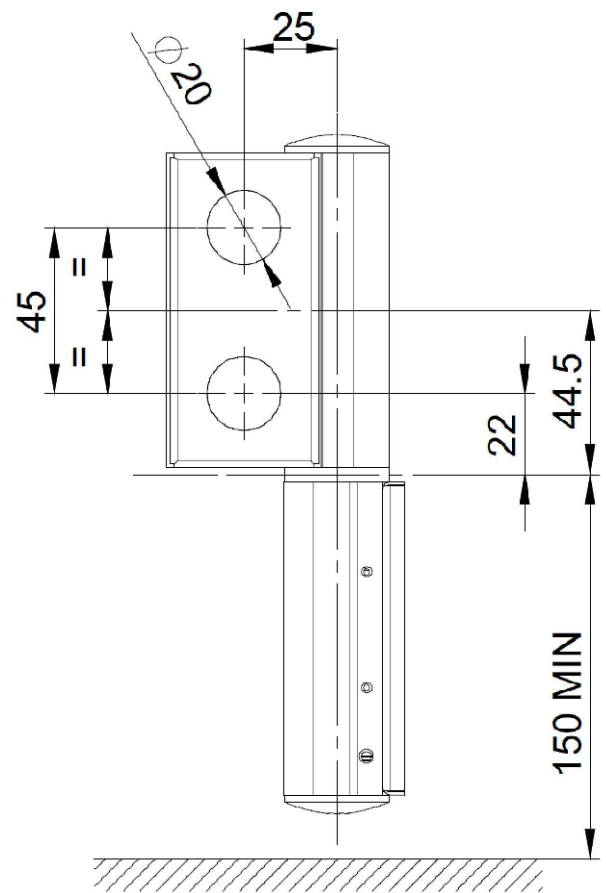


ISOMETRIC VIEW

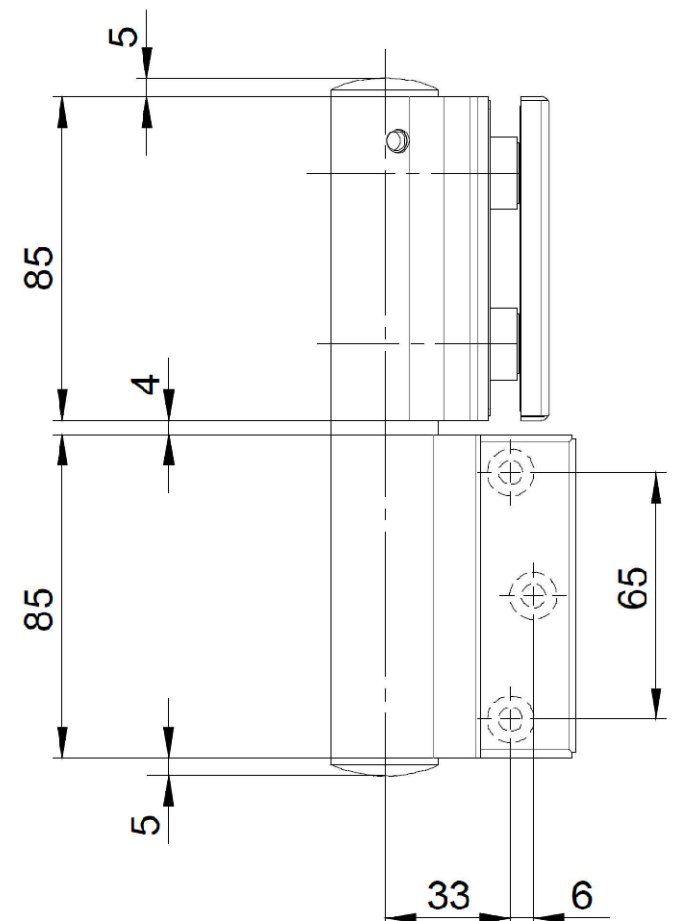


Glass Thickness: 8 - 21.5mm

GLASS PREPARATION DETAIL



FRONT ELEVATION



SIDE ELEVATION

- All dimensions are in mm unless otherwise stated
- Any dimensions scaled from this drawing are taken at reader's own risk
- When using a Dummy hinge, please ensure it is installed at the top of the door
- Material Finish: Brushed Stainless Steel or Black
- Max Door Weight:
 - Hydro & Dummy = 100kg
 - Hydro x 2 = 120kg
- Max Door Width:
 - Hydro & Dummy = 1000mm
 - Hydro x 2 = 1200mm



T: 01730 719 292
E: vistateam@bellsure.co.uk
W: bellsure.co.uk

PRODUCT NAME:
EVO Hinge
Glass to Frame

PART NO.

DRAWING

SCALE 1:2 SHEET SIZE: A3 DRAWN BY: BK CHECKED BY: MJ DATE: 19/7/19

PRODUCT NO. DRAWING NO.